



GRAPHITE™ v9

Computer-aided drafting the way it should be.™

- Unique Working Environment featuring Organic Workflow™
- Effortless and Fast Precision Drafting
- Easier to Learn and Faster to Use
- Accurate 2D and 3D Drafting to 16 Digits
- Intuitive Vellum® Interface
- Revolutionary Vellum Drafting Assistant for Intelligent Snaps and Automatic Alignments in X, Y, and Z
- Unique Hybrid Mac/Windows, Office/Home Licensing
- Advanced 2D and 3D Equation-driven Parametrics
- Intelligent, Parametric Symbols from any Geometry
- Multiple Sheet/Model Drawings
- Over 10,000 Architectural and Mechanical Symbols with Preview Panel
- GD&T Standards
- Multiple Dynamic Views
- Vector Import/Export Translators Including PDF and Precision DXF/DWG
- Precision Import/Export Translators Including IGES and DXF
- Bill of Materials
- 2D Analysis: Area, CG, Moments
- Dynamic Detail Views
- Spellcheck
- Enlarged Text and Icons for Easy Viewing
- Unicode Core Base

General Features

- Direct Multi-sheet PDF Creation
- 16 Place Floating Point Accuracy
- Hybrid Mac/Windows Office/Home Licensing
- Infinite Pan and Zoom
- 256 Layers with Grouping Control
- 234 Colours, 170 User-definable from a Palette of 16.7 Million
- Unlimited Drawing Size
- Unlimited Number of Objects
- Multiple Sheet Views

2D Analysis

- Perimeter
- Area
- Weight
- Standard and User Definable Tolerances and Settings (ANSI, DIN, ISO, JIS, Dual, Architecture, and Stacked Fraction)
- Centroid
- Moments of Inertia

Drawing Tools

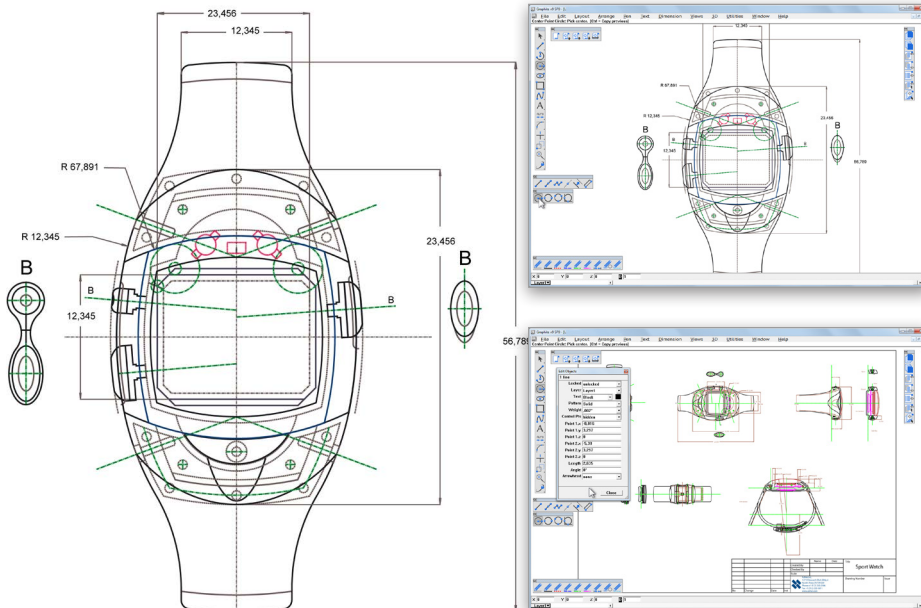
- Wireframe Creation Tools:
 - Point
 - Line
 - Connected Line
 - Mid-point Line
 - Arc
 - Circle
 - Ellipse
 - Rectangle
 - Polygon
 - Through-point Spline
 - Vector Spline
 - Extrude
 - Revolve
 - Smart Walls
- Wireframe Editing Tools:
 - Fillet
 - Chamfer
 - Trim
 - Relimit
 - Break
 - Offset
- Add Spline Points
- Modify Spline Slope
- Intersect Two Curves
- Infinite Construction Lines
- Offset, Divide
- Insertion of Architectural Symbols in Smart Walls with Auto Healing
- Auto Healing of Intersections in Smart Walls

Selection Tools

- Fence
- Crossing/Intersecting Line
- Enclosed Polygon
- Automatic Boundary Detection

Views

- Multiple
- 3D
- Detail
- Dynamically Linked



Luc Heiligenstein designed this sports watch using both Ashlar-Vellum drafting and 3D modelling software.

"Graphite has an intuitive way for visual people to create something without going through a ton of calculations to achieve a tangible result."

Read more about Luc's success at www.ashlar.com/success-stories/.



GRAPHITE™ v9

User Interface

- Updated, Intuitive Vellum Interface
- Enlarged Text & Icons
- Drafting Assistant™ for Automatic Snaps and Alignments
- Smart Cursor Changes Shape Indicating Active Tool and Operations
- Tear-off Tool Palettes
- Strokes and Short Cuts Provide Instant Access to Commands
- Status Line to Specify Object Parameters
- Message Line Provides Tool Feedback, Instructions, and Options
- Edit Objects Dialog Box
- World and User-defined Coordinate Systems
- All Data Entry Fields can Perform Numeric Calculations
- Object Grouping and Locking
- TrackBall for View Selection and Dynamic or Cube Rotation
- Scroll Wheel Zoom and Spacebar Panning
- Axis Locking
- Orbit Tool
- Nudge Tool Moves Selected Items a User-definable Distance
- Selection Mask for Easier Selection of Specific Entity Types
- Grid (User-definable, Infinite)
- Layer Manager
- Macros to Assign Keys or Strokes to Repetitive Tasks
- Eleven Localized Languages
- Tool Tips
- Help Tool Hyperlink
- Visual Assistance:
 - Cursor Options
 - Scaled Line Weights
 - Menu Fonts
- Visual Color Selection Palettes
- Drag and Drop Re-ordering in Layers, Sheets, and Models Dialogs

Additional Drafting Tools

- Automated Bill of Materials
- Symbols Panel
- Multiple Sheets per Document
- Spell Check Includes User Dictionary and Many Foreign Languages
- Navigator Palette
- Plotter Font
- Models
- Movie (Mac only)
- Pen Style Palette

Parametric Power

- 2D/3D
- Equation-driven
- Creates Smart Formula-driven Symbols

Batch File Conversions

- Via Convert Command
- Per Directory

2D Drawing Creation

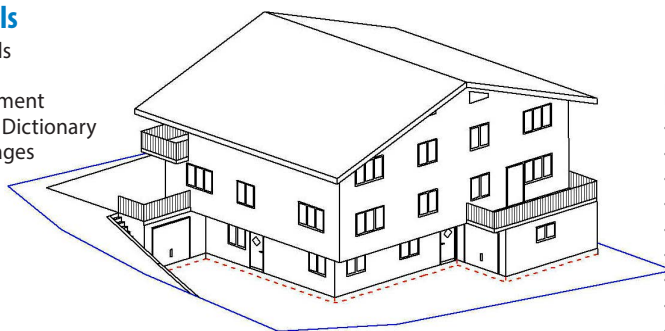
- Customizable Layouts
- Smart Dimension Tool Automatically Creates the Appropriate Dimensions
- Dimensions:
 - Linear
 - Angular
 - Diametric
 - Radial
 - Baseline Method
 - Chain Method
 - Ordinate (Datum Method)
 - Circle Center Marking
- Standard and User Definable Tolerances and Settings (ANSI, DIN, ISO, JIS, Dual, Architecture, and Stacked Fraction)
- Hatch and Fill Patterns
- Line Weights, Colors, and Styles
- Geometric Dimensioning & Tolerancing (GD&T)
- Unlimited Number of Objects
- Dynamic or Static Dimensioning

Text Tools

- Text:
- Multi Line or Paragraphs
- Autotext Forms
- Normal
- At an Angle
- Set Font, Size, Colour

General Transform Tools

- Move
- Linear Duplicate
- Rotate
- Polar Duplicate
- Scale (Uniform)
- Mirror
- Stretch
- Copy Along Path



Alpine house by **Walter Arnold**, Arnold CAD.

"I quickly learned how to be more fluid in Graphite. I was able to make a complicated machine layout and derive detail drawings faster and easier than I could ever have done on a drawing board."

John Bicht, Versalab.

Symbol Libraries

- Mechanical
- CAD
- ANSI
- DIN
- Reference of Instances Offers Updates Upon Reentry
- Thousands Included
- Panel Provides Click-through Viewing of All Directories Prior to Loading

Available Accessories

- Graphite Share™ for Viewing, Printing and Exporting at Client or Manufacturing Site (Free)
- Apple Mac OS X Tiger Spotlight Plug-in (Free)
- Graphite Tips & Tricks Book
- Tutorials (Free)

Import/Export

- DWG/DXF (Up to 2013)
- PDF 2D Import and Export
- EPS
- Spline (Import Only)
- ASCII Text
- Claris CAD (Import Only)
- BMP (Windows only)
- WMF (Windows only)
- PICT (Mac Only)
- Attributes

PDF Integration

- Export
 - Direct (Generates Non-tessellated Arcs)
 - Multi-sheet
 - Imbedded Exports Optional
 - PDF Large Size Export up to 200in x 200in (508cm x 508cm)
 - Page Size Independent of Print Size
- Import
 - Vector
 - Raster
 - Text

Localized User Interface

- English (US)
- English (UK)
- French
- German
- Italian
- Japanese
- Portuguese
- Spanish
- Swedish
- Russian
- Ukrainian

System Requirements

- Windows / Macintosh
- Windows 7 / 8 / 8.1 (x32 or x64)
- OS X 10.6 / 10.7 / 10.8 / 10.9 (Intel only)
- 256 MB RAM
- 250 MB Free Hard DriveSpace / 1 GB Allocated Virtual Memory
- DVD Drive or High Speed Internet Connection

Creative Intuition
Powered by **Vellum™**